

# SHARP PARTS GUIDE

## Refrigerator

### MODELS



**SJ-P61N-SLG**

**SJ-P66N-SLG**

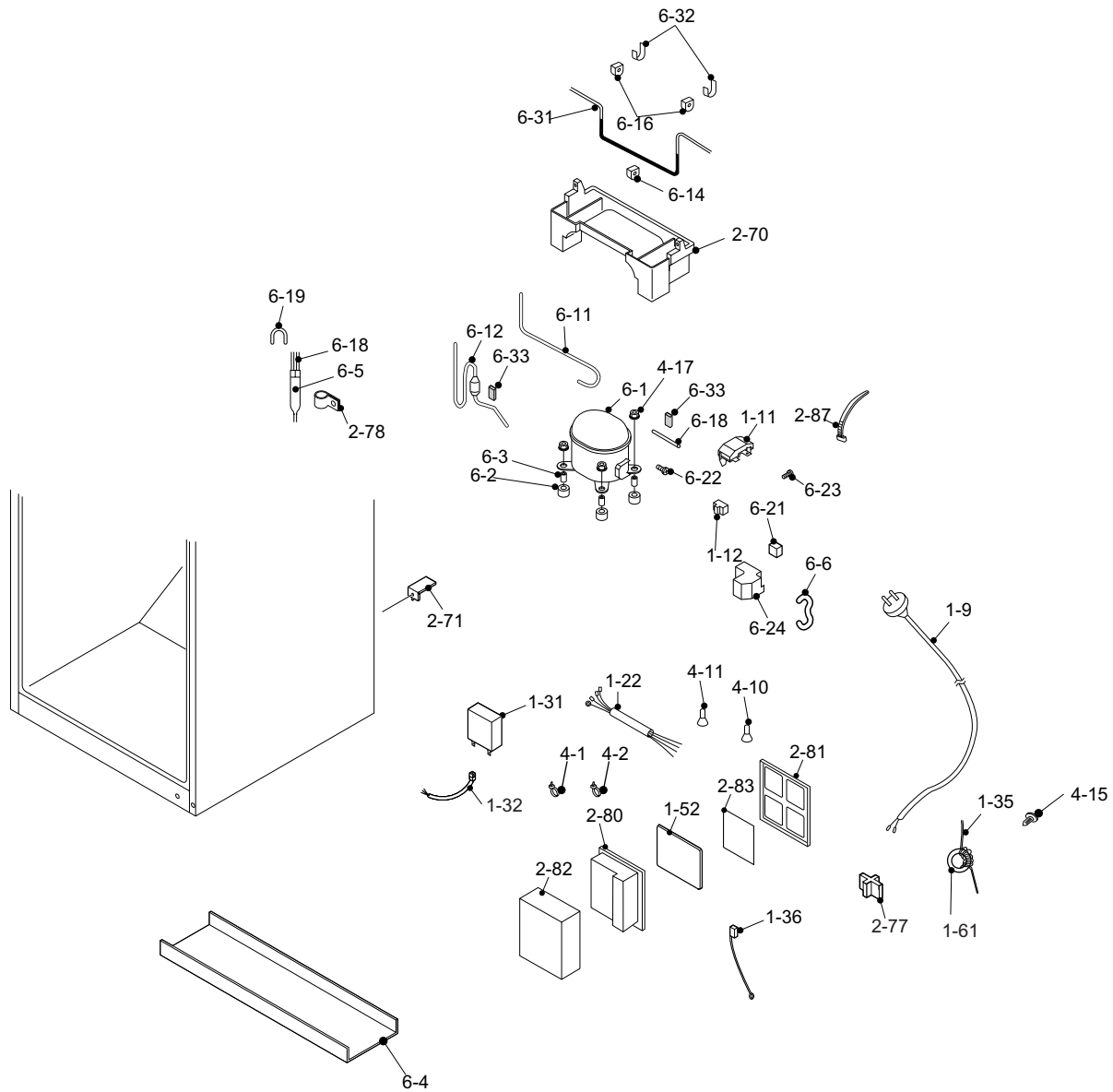
**SJ-D56N-SLG**

**SJ-D57N-SLG**

### CONTENTS

- |                                   |                                   |
|-----------------------------------|-----------------------------------|
| [1] SJ-P61N/P66N CYCLE PARTS      | [7] SJ-D56N/D57N MECHANICAL PARTS |
| [2] SJ-P61N/P66N MECHANICAL PARTS | [8] SJ-D56N/D57N DOOR PARTS       |
| [3] SJ-P61N/P66N DOOR PARTS       | [9] SJ-D56N/D57N ATTACHMENT PARTS |
| [4] SJ-P61N/P66N ATTACHMENT PARTS | [10] SJ-D56N/D57N OTHER PARTS     |
| [5] SJ-P61N/P66N OTHER PARTS      | ■ INDEX                           |
| [6] SJ-D56N/D57N CYCLE PARTS      |                                   |

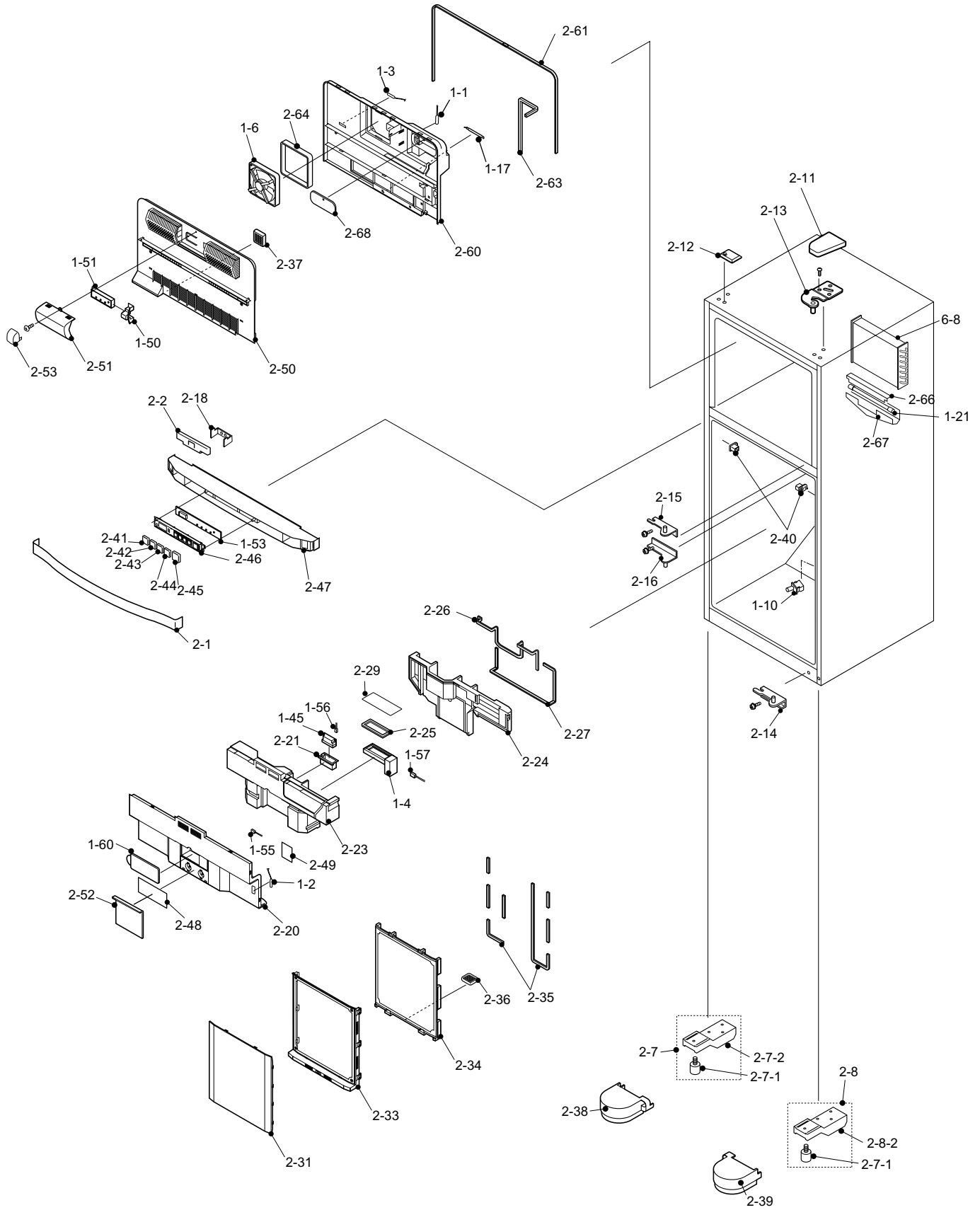
[1] SJ-P61N/P66N CYCLE PARTS



NO.	PARTS CODE	PRICE RANK	NEW MARK	PART RANK	DESCRIPTION
<b>[1] SJ-P61N/P66N CYCLE PARTS</b>					
1-9	QACC-A185CBZZ	AQ			Source cord
1-11	RHOG-A207CBZZ	AT			Protector
1-12	RSTT-A203CBZZ	AT			Starting relay
1-22	FCNW-B017CBKZ	AU			Relay cord s ass'y
1-31	RC-EZA250CBZZ	AQ			Running capacitor
1-32	QCNW-B021CBZZ	AC			Reray wire rc
1-35	QCNW-B295CBZZ	AM			Emi earth 2pin cr
1-36	QCNW-B283CBZZ	AG			Pwb earth wire
1-52	FPWB-A500CBKZ	BQ			Main pwb ass'y
1-61	RCILFA011CBZZ	AV			Emi core esd-r-38
2-70	USRA-A313CBFA	AP			Drain pan
2-71	LHLD-A797CBFZ	AE			Ev.pan holder
2-77	LHLD-A359CBFA	AE			T-box holder
2-78	LPLTMA399CBP0	AD			Dryer support
2-80	PBOX-A164CBFA	AM			Terminal box
2-81	PCOV-A396CBPZ	AF			Terminal cover
2-82	PCOVMA005CBBYZ	AF			Terminal box cover
2-83	PSHEPA084CBZZ	AG			Terminal sheet
2-87	LBND-A018CBE0	AP			Fastening band a
4-1	LBND-A023CBE0	AC			L-band c
4-2	LBND-A019CBE0	AB			Nylon band
4-10	QTAN-A013CBE0	AH			Solderless term. a
4-11	QTAN-A012CBE0	AH			Solderless term. b
4-15	LX-BZA090CBZZ	AC			Special screw

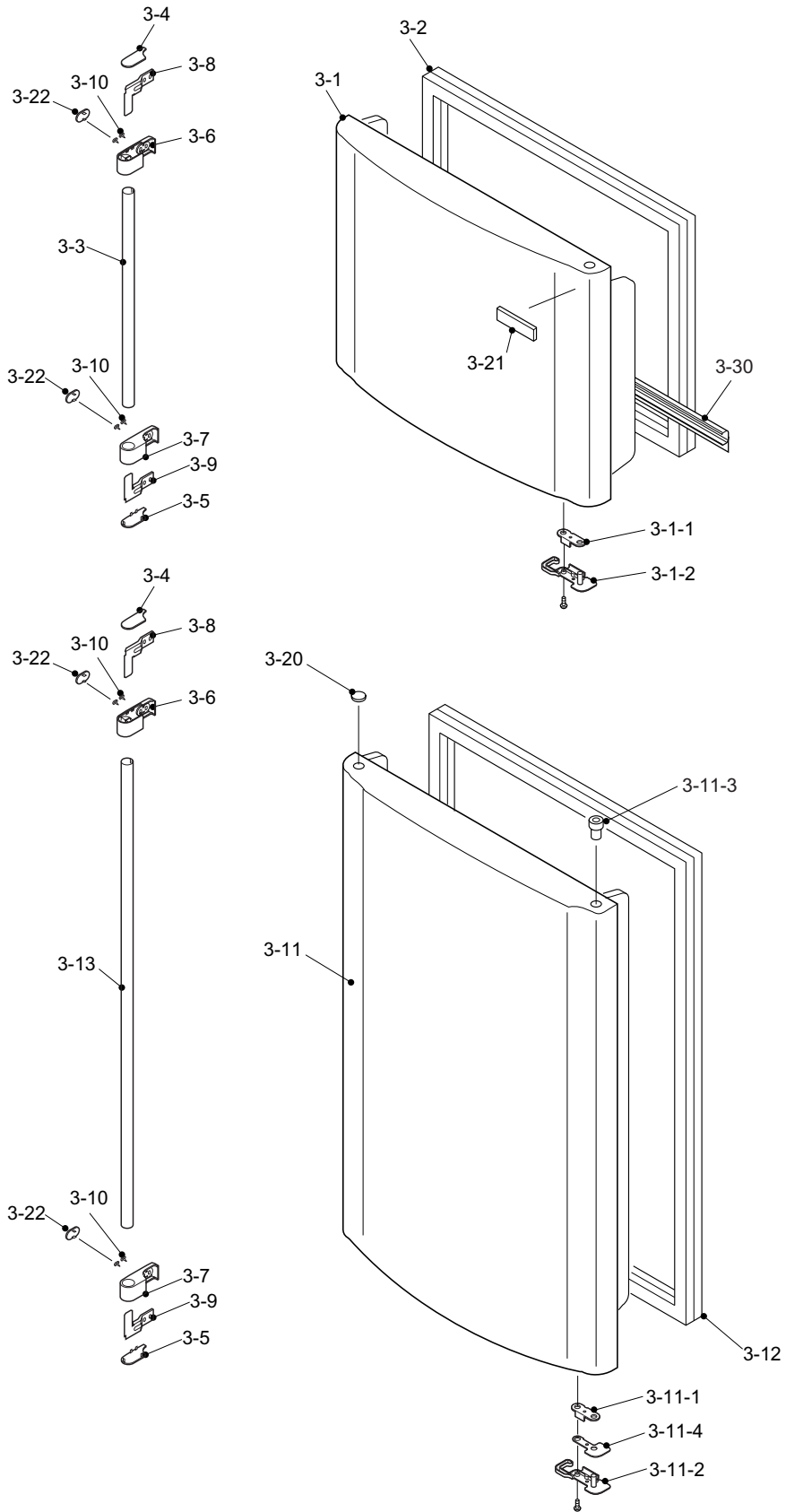
NO.	PARTS CODE	PRICE RANK	NEW MARK	PART RANK	DESCRIPTION
<b>[1] SJ-P61N/P66N CYCLE PARTS</b>					
4-17	LX-WZA035CBZZ	AB			Washer
6-1	PCMPLA298CBZZ	BY			Compressor
6-2	PKYU-A195CBKZ	AU			Rubber mount ass'y
6-3	PSPAFA055CBEZ	AP			Sleeve
6-4	FFRM-A152CBKZ	AH			Base frame ass'y
6-5	FDRY-A006CBK0	AX			Dryer ass'y
6-6	PCLI-A055CBEZ	AC			Clip
6-11	PPIPCA610CBZZ	AL			S.p connector
6-12	PPIPCA639CBZZ	AR			Discharge p ass'y
6-14	PGUM-A004CBF0	AH			Absorbent rubber a
6-16	PGUM-A003CBF0	AH			Absorbent rubber b
6-18	PPIPCA252CBE0	AD			Charge pipe
6-19	PPIPCA551CBZZ	AF			Drier connector
6-21	LHLD-A781CBEZ	AG			Cord clip
6-22	LX-BZA107CBZZ	AD			Earth screw
6-23	LX-CZA017CBZZ	AD			Cord clip screw
6-24	PCOVPA418CBEZ	AV			Protect cover
6-31	FPIPCA307CBKZ	AN			Eva pan pipe s ass'y
6-32	LANG-A058CBFZ	AC			Absorbent rubber clm
6-33	PKYU-A183CBEZ	AE			Suction butyl

# [2] SJ-P61N/P66N MECHANICAL PARTS



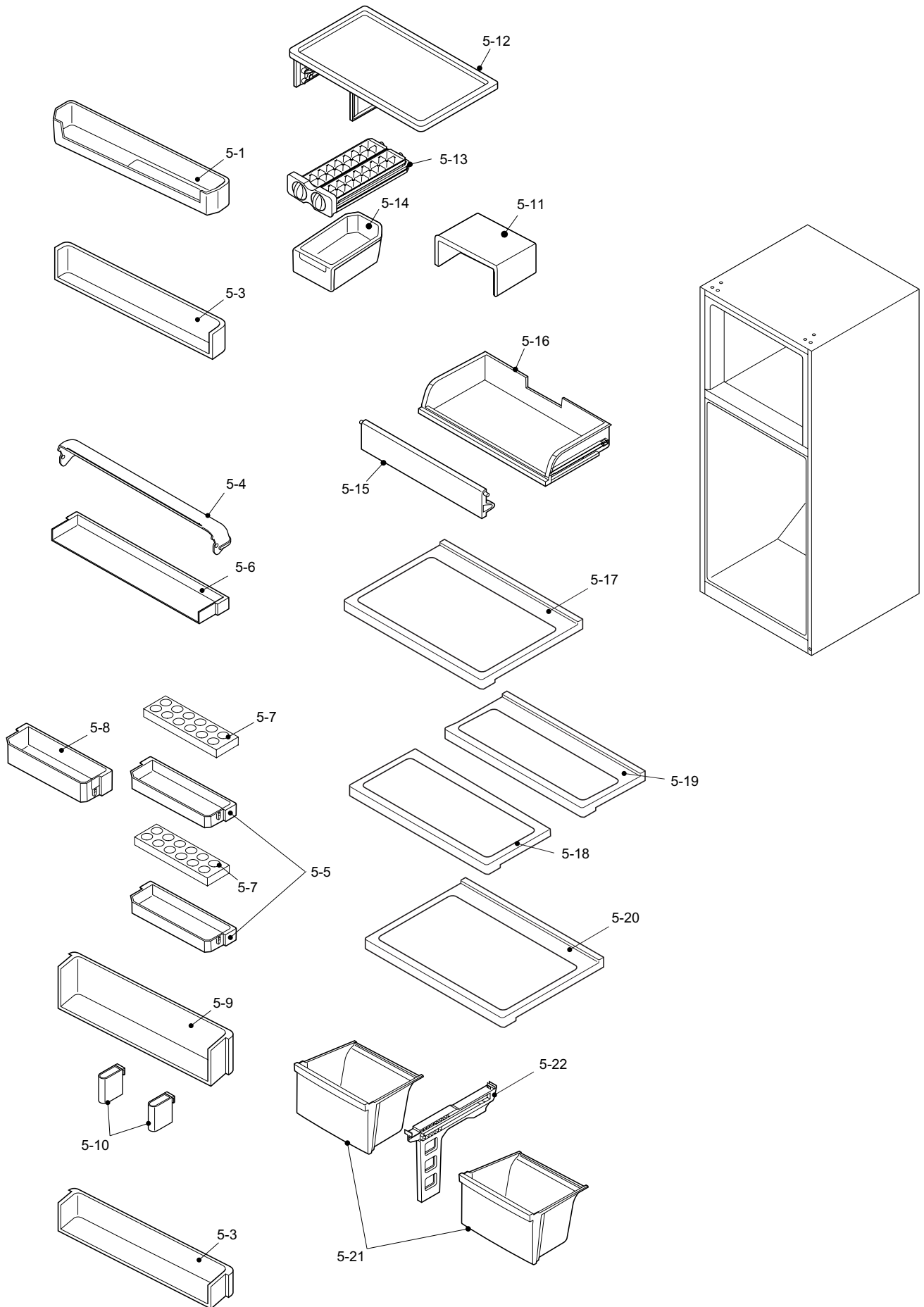
NO.	PARTS CODE	PRICE RANK	NEW MARK	PART RANK	DESCRIPTION
<b>[2] SJ-P61N/P66N MECHANICAL PARTS</b>					
1-1	RH-HXA104CBZZ	AZ			F-thermistor
1-2	RH-HXA103CBZZ	AZ			R-thermistor
1-3	RH-HXA105CBZZ	AZ			Def-thermistor
1-4	DTHM-A042CBKZ	AY			Damper ass'y
1-6	RMOTRA096CBZZ	BE			F fan motor
1-10	QSW-PA097CBZA	AG			Door switch
1-17	FFS-TA100CBKZ	AN			Fuse ass'y
1-21	FHETBA223CBZZ	AW			Def. heater ass'y
1-45	FTRN-A014CBKZ	AZ			Ionaizer-k
1-50	LHLD-A801CBFA	AE			F-lamp holder
1-51	DPWB-A135CBKZ	BR			Led lamp pwb l ass'y
1-53	FPWB-A499CBKZ	BG			Led pwb ass'y
1-55	QCNW-B256CBZZ	AP			Lamp harness
1-56	QCNW-B257CBZZ	AP			Plasma harness
1-57	QCNW-B258CBZZ	AP			Damper harness
1-60	DPWB-A150CBKZ	AY			Rled lamp pwb l assy
2-1	GCOVPA237CBRA	AU			Control panel
2-2	GCOVPA236CBFA	AE			C-hinge slit cover
2-7	FLEGA077CBKZ	AQ			Leg holder l ass'y
2-7-1	FAJS-A013CBK0	AE			Adjustable leg ass'y
2-7-2	LHLD-A533CBPZ	AL			Leg holder l
2-8	FLEGA078CBKZ	AQ			Leg holder r ass'y
2-8-2	LHLD-A534CBPZ	AP			Leg holder r
2-11	GCOV-A310CBFA	AE			Upper hinge cover
2-12	GCOV-A192CBFH	AE			Top cover
2-13	DHNG-A602CBMZ	AG			Upper hinge r ass'y
2-14	DHNG-A636CBMZ	AG			Bottom hinge r ass'y
2-15	DHNG-A636CBMZ	AG			Center hinge rt assy
2-16	DHNG-A605CBMZ	AG			Center hinge rb assy
2-18	LHLD-A825CBPZ	AE			C-box angler
2-20	GCOVPA238CBFA	AK			R-c box cover
2-21	LHLD-A714CBFZ	AR			Plasma holder
2-23	PGID-A172CBFZ	AK			R air guider a
2-24	PGID-A173CBFZ	AK			R air guider b
2-25	PSEL-C669CBZZ	AD			A-sealer rc-d
2-26	PSEL-C955CBZZ	AE			Ra sealer a
2-27	PSEL-C956CBZZ	AE			Ra sealer b
2-29	PSEL-C958CBZZ	AH			A-sealer damper
2-31	LPLTMA818CBPZ	AG			Al panel [P66N]
2-31	LPLTMA822CBPZ	AK			Al panel [P61N]
2-33	MLOV-A064CBFA	AR			R shower duct [P66N]
2-33	MLOV-A065CBFA	AR			R shower duct [P61N]
2-34	PGID-A174CBFZ	AH			R-shower ins.a [P66N]
2-34	PGID-A176CBFZ	AG			R-shower ins.a [P61N]
2-35	PSEL-C966CBZZ	AE			A-sealer r-shower-d [P66N]
2-35	PSEL-C968CBZZ	AE			A-sealer r-shower-d [P61N]
2-36	PFIL-A047CBEZ	AC			Deodorizer
2-37	PFIL-A050CBEZ	AM			Deodorizer
2-38	GCOVPA234CBFA	AE			Leg cover l
2-39	GCOVPA235CBFA	AE			Leg cover r
2-40	LSTPPA161CBFA	AE			Case stopper
2-41	JBTN-A045CBRA	AF			Button fr
2-42	JBTN-A046CBRA	AF			Button dw
2-43	JBTN-A047CBRA	AF			Button up
2-44	JBTN-A048CBRA	AF			Button dc
2-45	JBTN-A049CBRA	AF			Button pl
2-46	LHLD-A802CBFA	AE			Led pwb holder
2-47	GDAI-A084CBFA	AR			Control box base
2-48	TLAB-B605CBRA	AE			Mask label
2-49	PSEL-D085CBZZ	AD			R thermistor sealer
2-50	HGRL-A269CBFA	AU			Fan louver
2-51	PCOV-A391CBRA	AH			F lamp cover
2-52	PCOV-A392CBRA	AG			R lamp cover
2-53	GCOVAA056CBFA	AE			Screw cover
2-60	GCOV-A311CBFZ	AS			E.v cover
2-61	PSEL-C959CBZZ	AE			E.v cover sealer a
2-63	PSEL-C961CBZZ	AH			E.v cover sealer c
2-64	PSEL-C962CBZZ	AE			E.v cover sealer d
2-66	PSHEMA341CBPZ	AG			Heater cover
2-67	LPLTMA819CBPZ	AF			Drain support
2-68	GCOVPA239CBFA	AT			Ev terminal cover
6-8	PEVA-A187CBZZ	BE			Evaporator

### [3] SJ-P61N/P66N DOOR PARTS



NO.	PARTS CODE	PRICE RANK	NEW MARK	PART RANK	DESCRIPTION
<b>[3] SJ-P61N/P66N DOOR PARTS</b>					
3-1	FDORFB986CBKZ	BT			F-door ass'y
3-1-1	LSTPMA028CBMZ	AE			F-door stopper r
3-1-2	LSTPPA158CBFA	AE			Fd-stopper spring r
3-2	FPACGA470CBKZ	AX			F-door packing
3-3	JHNDPA258CBPZ	AQ			F door handle
3-4	HDECQA544CBTA	AF			Hd cover t
3-5	HDECQA545CBTA	AF			Hd cover b
3-6	LPLTPA478CBTA	AH			Hd base t
3-7	LPLTPA479CBTA	AH			Hd base b
3-8	LPLTPA480CBPZ	AF			Hd support t
3-9	LPLTPA481CBPZ	AF			Hd support b
3-10	LX-BZA091CBZZ	AD			Handle screw
3-11	FDORRB891CBKZ	BU			R-door ass'y [P66N]
3-11	FDORRB894CBKZ	BT			R-door ass'y [P61N]
3-11-1	LSTP-A064CBMZ	AE			R-door stopper r
3-11-2	LSTPPA159CBFA	AE			Rd-stopper spring r
3-11-3	NBRGPA022CBFA	AC			Nylon bearing 3s
3-11-4	LPLTMA846CBMZ	AF			Rd-support
3-12	FPACGA471CBKZ	AY			R-door packing [P66N]
3-12	FPACGA472CBKZ	AY			R-door packing [P61N]
3-13	JHNDPA259CBPZ	AQ			R door handle [P66N]
3-13	JHNDPA262CBPZ	AF			R door handle [P61N]
3-20	PCAP-A055CBFF	AE			Bearing cap
3-21	HBDGDB006CBZA	AZ			Badge
3-22	GCOVAA052CBTA	AE			Screw cover
3-30	PPACGA268CBZA	AL			F-sub. packing

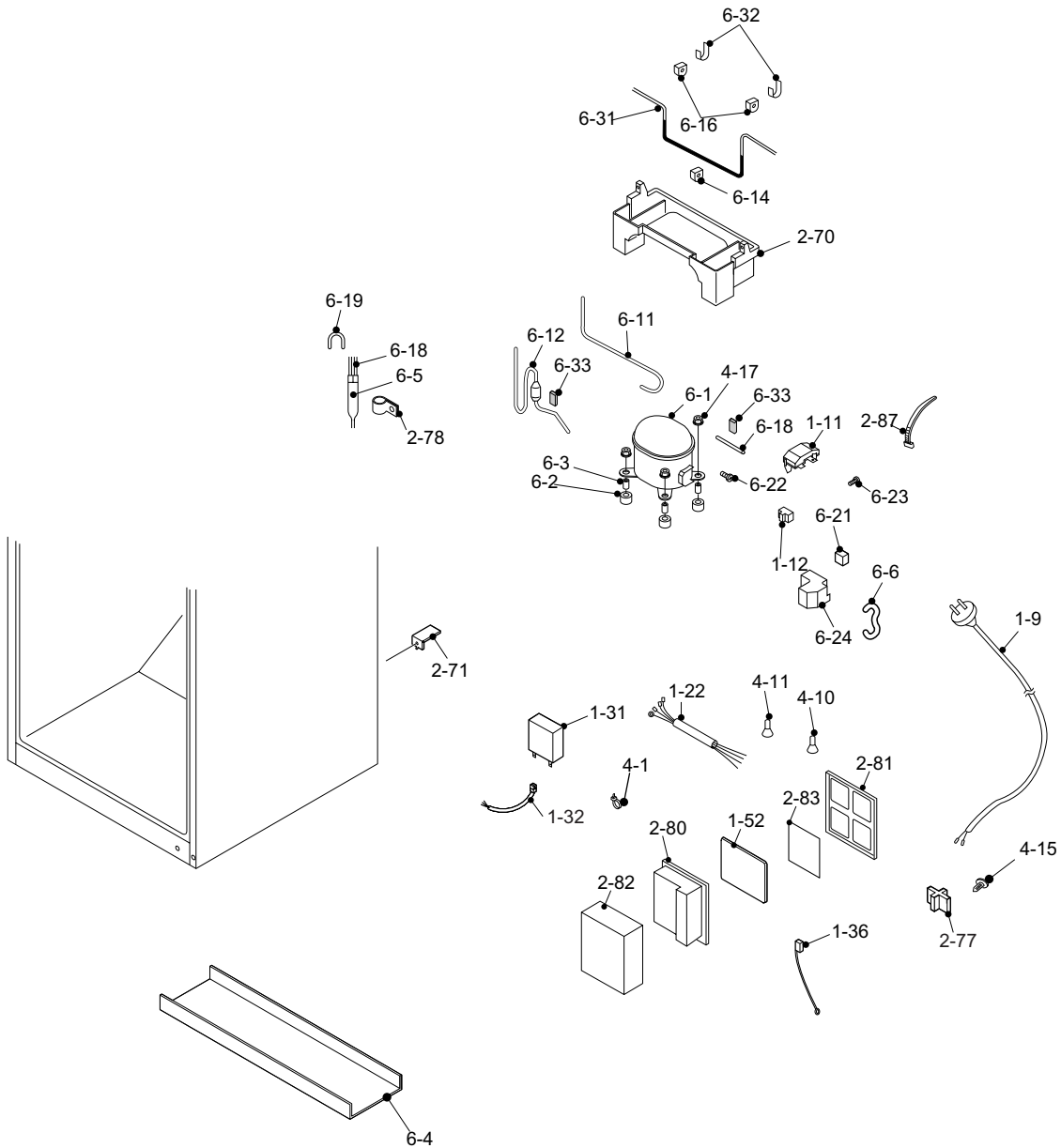
[4] SJ-P61N/P66N ATTACHMENT PARTS





NO.	PARTS CODE	PRICE RANK	NEW MARK	PART RANK	DESCRIPTION
<b>[4] SJ-P61N/P66N ATTACHMENT PARTS</b>					
5-1	FPOK-A264CBKZ	AS			F-door pocket ass'y
5-3	UPOKPA308CBFA	AP			Rf door pocket
5-4	GDORPA086CBRA	AN			R door pocket cover
5-5	UPOKPA309CBFA	AM			Utility pocket
5-6	UPOKPA310CBFA	AP			R door pocket
5-7	UTNA-A282CBFA	AH			Egg tray
5-8	UPOKPA314CBFA	AM			Utility pocket I [P66N]
5-9	UPOKPA312CBFA	AU			Bottle pocket
5-10	UPOKPA251CBFB	AF			Tube stand
5-11	UTNA-A450CBFA	AP			F shelf s
5-12	UTNA-A449CBFA	AZ			F shelf
5-13	FSRA-A273CBYZ	AR			Ice cube maker
5-14	UYOK-A579CBFA	AM			Ice storage box
5-15	GDORPA083CBRA	AN			Fresh door
5-16	UYOK-A577CBFA	AZ			Fresh case
5-17	FTNA-A464CBKZ	AY			R glass shelf ass'y
5-18	FTNA-A465CBKZ	AY			R glass shelf sf asy
5-19	FTNA-A466CBKZ	AY			R glass shelf sb asy
5-20	FTNA-A463CBKZ	AY			V glass shelf ass'y
5-21	UYOK-A578CBFA	AZ			Vegetable case
5-22	LSTYPA047CBFA	AN			Partition v
<b>[5] SJ-P61N/P66N OTHER PARTS</b>					
90-1	TINS-A836CBRZ	AH			Operation manual
90-3	SPAKCA340CBZZ	BA			Packing case 55 [P66N]
90-3	SPAKCA343CBZZ	AZ			Packing case 51 [P61N]
90-6	CPADBA108CBKZ	BA			Bottom pad ass'y
90-7	CPADBA109CBKZ	AP			Top pad ass'y
90-21	TLAB-A939CBRZ	AD			Caution label rof

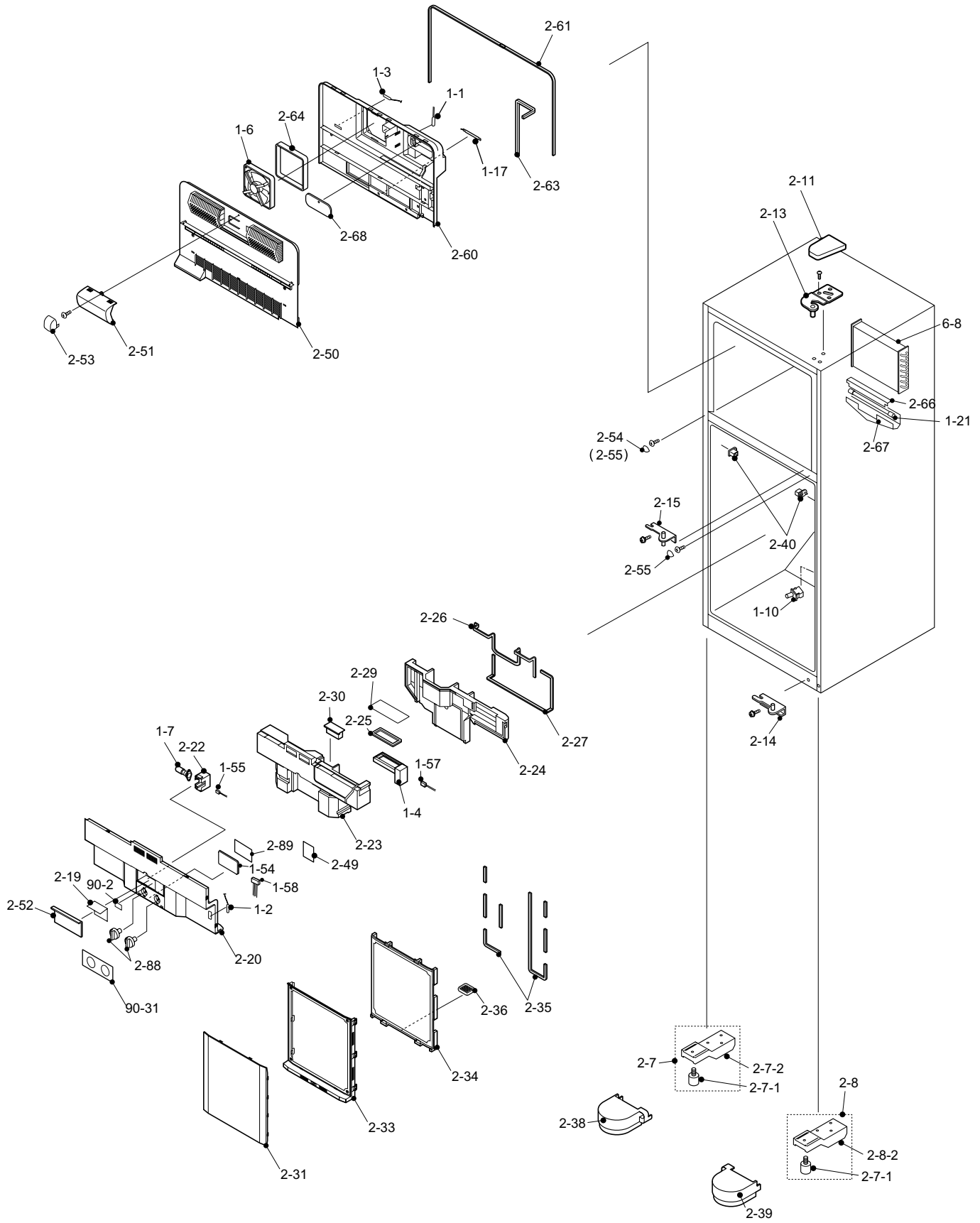
[6] SJ-D56N/D57N CYCLE PARTS



NO.	PARTS CODE	PRICE RANK	NEW MARK	PART RANK	DESCRIPTION
<b>[6] SJ-D56N/D57N CYCLE PARTS</b>					
1-9	QACC-A185CBZZ	AQ			Source cord
1-11	RHOG-A207CBZZ	AT			Protector
1-12	RSTT-A203CBZZ	AT			Starting relay
1-22	FCNW-B017CBKZ	AU			Relay cord s ass'y
1-31	RC-EZA250CBZZ	AQ			Running capacitor
1-32	QCNW-B021CBZZ	AC			Relay wire rc
1-36	QCNW-B283CBZZ	AG			Pwb earth wire
1-52	FPWB-A507CBKZ	BQ			Main pwb ass'y
2-70	USRA-A313CBFA	AP			Drain pan
2-71	LHLD-A797CBFZ	AE			Ev.pan holder
2-77	LHLD-A359CBFA	AE			T-box holder
2-78	LPLTMA399CBP0	AD			Dryer support
2-80	PBOX-A164CBFA	AM			Terminal box
2-81	PCOV-A396CBPZ	AF			Terminal cover
2-82	PCOVMA005CBYZ	AF			Terminal box cover
2-83	PSHEPA084CBZZ	AG			Terminal sheet
2-87	LBND-A018CBE0	AP			Fastening band a
4-1	LBND-A023CBE0	AC			L-band c
4-10	QTAN-A013CBE0	AH			Solderless term. a
4-11	QTAN-A012CBE0	AH			Solderless term. b
4-15	LX-BZA090CBZZ	AC			Special screw
4-17	LX-WZA035CBZZ	AB			Washer
6-1	PCMPLA298CBZZ	BY			Compressor
6-2	PKYU-A195CBKZ	AU			Rubber mount ass'y

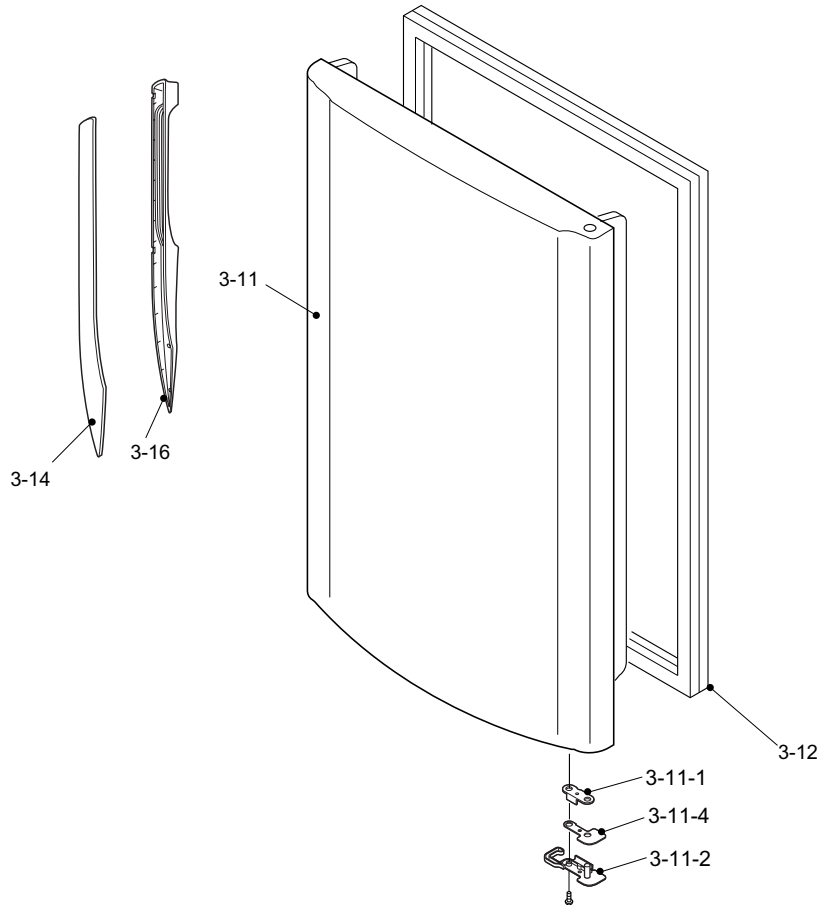
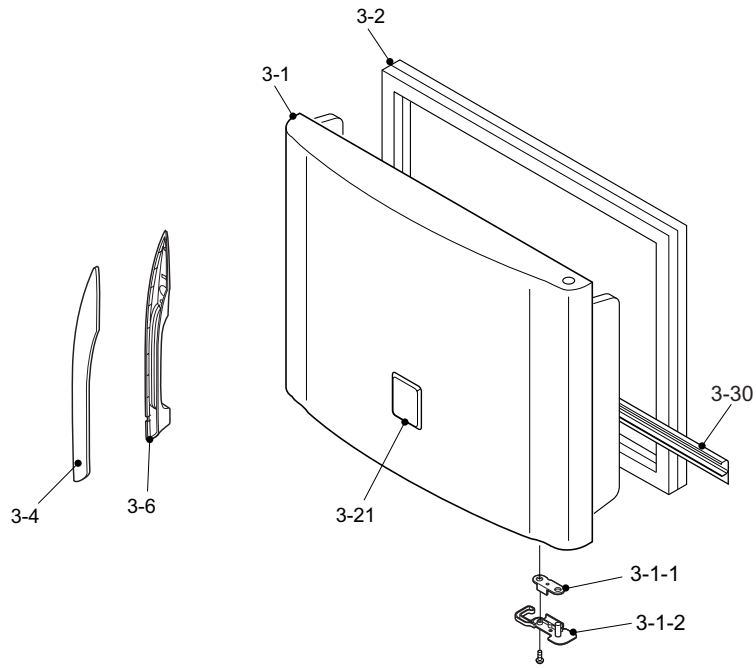
NO.	PARTS CODE	PRICE RANK	NEW MARK	PART RANK	DESCRIPTION
<b>[6] SJ-D56N/D57N CYCLE PARTS</b>					
6-3	PSPAF055CBEZ	AP			Sleeve
6-4	FFRM-A153CBKZ	AK			Base frame ass'y
6-5	FDRY-A006CBK0	AX			Dryer ass'y
6-6	PCLI-A055CBEZ	AC			Clip
6-11	PPIPCA610CBZZ	AL			S.p connector
6-12	PPIPCA639CBZZ	AR			Discharge p ass'y
6-14	PGUM-A004CBF0	AH			Absorbent rubber a
6-16	PGUM-A003CBF0	AH			Absorbent rubber b
6-18	PPIPCA252CBE0	AD			Charge pipe
6-19	PPIPCA551CBZZ	AF			Drier connector
6-21	LHLD-A781CBEZ	AG			Cord clip
6-22	LX-BZA107CBZZ	AD			Earth screw
6-23	LX-CZA017CBZZ	AD			Cord clip screw
6-24	PCOVPA418CBEZ	AV			Protect cover
6-31	FPIPCA307CBKZ	AN			Eva pan pipe s ass'y
6-32	LANG-A058CBFZ	AC			Absorbent rubber clm
6-33	PKYU-A183CBEZ	AE			Suction butyl

[7] SJ-D56N/D57N MECHANICAL PARTS



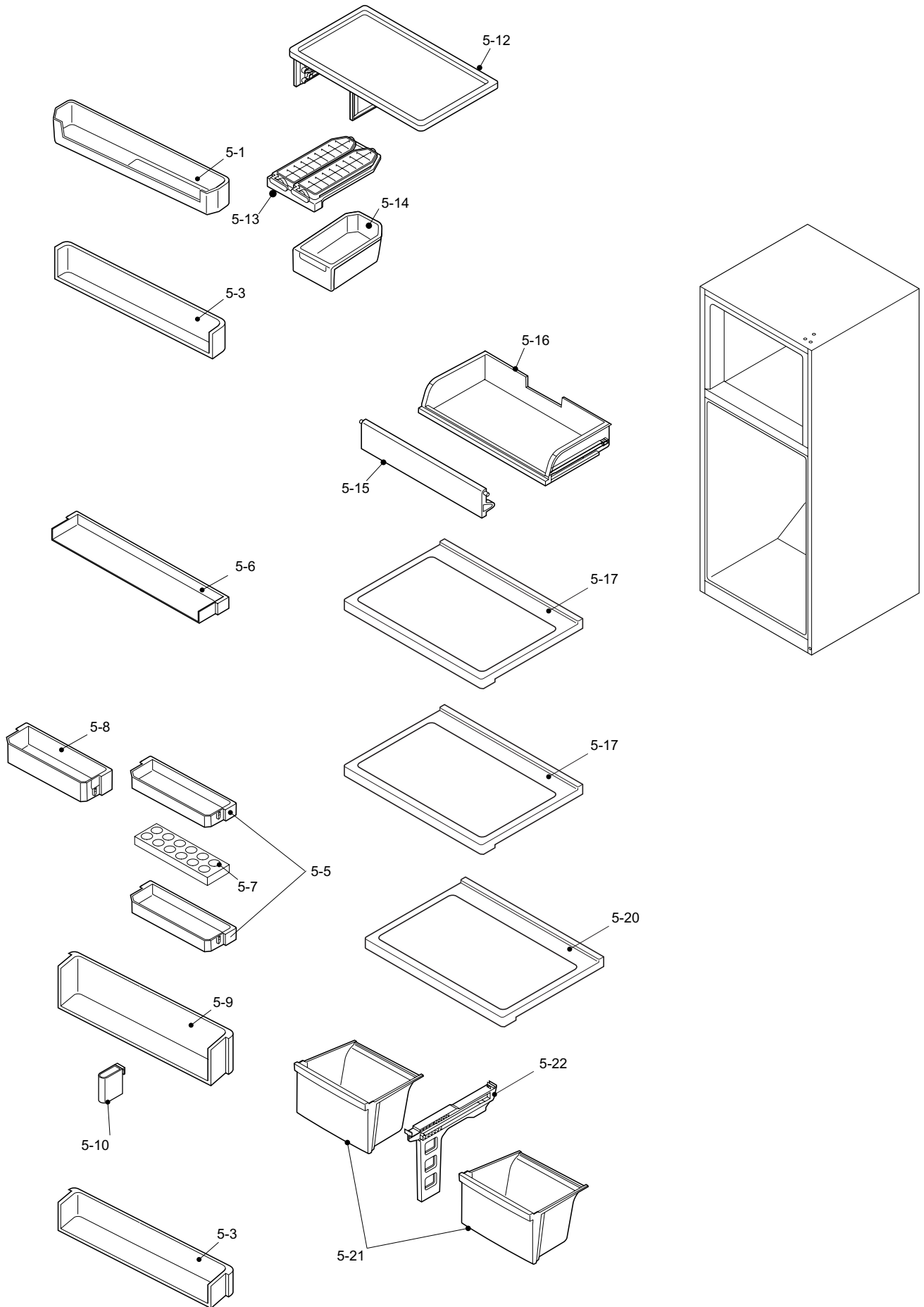
NO.	PARTS CODE	PRICE RANK	NEW MARK	PART RANK	DESCRIPTION
<b>[7] SJ-D56N/D57N MECHANICAL PARTS</b>					
1-1	RH-HXA104CBZZ	AZ			F-thermistor
1-2	RH-HXA103CBZZ	AZ			R-thermistor
1-3	RH-HXA105CBZZ	AZ			Def-thermistor
1-4	DTHM-A042CBKZ	AY			Damper ass'y
1-6	RMOTRA096CBZZ	BE			F fan motor
1-7	FLMP-A003CBZZ	AM			Lamp ass'y
1-10	QSW-PA097CBZA	AG			Door switch
1-17	FFS-TA100CBKZ	AN			Fuse ass'y
1-21	FHETBA223CBZZ	AW			Def. heater ass'y
1-54	FPWB-A506CBKZ	AZ			Vr pwb ass'y
1-55	QCNW-B270CBZZ	AH			Lamp harness
1-57	QCNW-B258CBZZ	AP			Damper harness
1-58	QCNW-B262CBZZ	AP			Control harness
2-7	FLEGPA077CBKZ	AQ			Leg holder l ass'y
2-7-1	FAJS-A013CBK0	AE			Adjustable leg ass'y
2-7-2	LHLD-A533CBPZ	AL			Leg holder l
2-8	FLEGPA078CBKZ	AQ			Leg holder r ass'y
2-8-2	LHLD-A534CBPZ	AP			Leg holder r
2-11	GCOV-A310CBFA	AE			Upper hinge cover
2-13	DHNG-A602CBMZ	AG			Upper hinge r ass'y
2-14	DHNG-A636CBMZ	AG			Bottom hinge r ass'y
2-15	DHNG-A611CBMZ	AG			Center hinge r ass'y
2-19	LPLTMA840CBPZ	AE			R-cbox al sheet
2-20	GCOVPA238CBFA	AK			R-c box cover
2-22	LHLD-A803CBFZ	AG			R lamp holder
2-23	PGID-A172CBFZ	AK			R air guider a
2-24	PGID-A173CBFZ	AK			R air guider b
2-25	PSEL-C669CBZZ	AD			A-sealer rc-d
2-26	PSEL-C955CBZZ	AE			Ra sealer a
2-27	PSEL-C956CBZZ	AE			Ra sealer b
2-29	PSEL-C958CBZZ	AH			A-sealer damper
2-30	PGID-A177CBFZ	AG			R air guider c
2-31	LPLTMA847CBPZ	AH			Al panel [D57N]
2-31	LPLTMA848CBPZ	AH			Al panel [D56N]
2-33	MLOV-A064CBFA	AR			R shower duct [D57N]
2-33	MLOV-A065CBFA	AR			R shower duct [D56N]
2-34	PGID-A174CBFZ	AH			R-shower ins.a [D57N]
2-34	PGID-A176CBFZ	AG			R-shower ins.a [D56N]
2-35	PSEL-C966CBZZ	AE			A-sealer r-shower-d [D57N]
2-35	PSEL-C968CBZZ	AE			A-sealer r-shower-d [D56N]
2-36	PFIL-A047CBEZ	AC			Deodorizer
2-38	GCOVPA234CBFA	AE			Leg cover l
2-39	GCOVPA235CBFA	AE			Leg cover r
2-40	LSTPPA161CBFA	AE			Case stopper
2-49	PSEL-D085CBZZ	AD			R thermistor sealer
2-50	HGRL-A269CBFA	AU			Fan louver
2-51	PCOV-A395CBRA	AH			F lamp cover
2-52	PCOV-A390CBFA	AH			R lamp cover
2-53	GCOVAA056CBFA	AE			Screw cover
2-54	PCAP-A077CBFH	AD			Screw cover
2-55	PCAP-A006CBFW	AB			Screw cover
2-60	GCOV-A311CBFZ	AS			E.v cover
2-61	PSEL-C959CBZZ	AE			E.v cover sealer a
2-63	PSEL-C961CBZZ	AH			E.v cover sealer c
2-64	PSEL-C962CBZZ	AE			E.v cover sealer d
2-66	PSHEMA341CBPZ	AG			Heater cover
2-67	LPLTMA819CBPZ	AF			Drain support
2-68	GCOVPA239CBFA	AT			Ev terminal cover
2-88	JKNB-A085CBFA	AF			Control knob
2-89	LPLTPA490CBZZ	AE			Pwb sheet 55dr
6-8	PEVA-A187CBZZ	BE			Evaporator
90-2	TLAB-A876CBRZ	AC			Warning label
90-31	HPNLCA084CBRA	AF			Control label

[8] SJ-D56N/D57N DOOR PARTS



NO.	PARTS CODE	PRICE RANK	NEW MARK	PART RANK	DESCRIPTION
<b>[8] SJ-D56N/D57N DOOR PARTS</b>					
3-1	FDORFB988CBKZ	BT			F-door ass'y
3-1-1	LSTPMA028CBMZ	AE			F-door stopper r
3-1-2	LSTPPA158CBFA	AE			Fd-stopper spring r
3-2	FPACGA470CBKZ	AX			F-door packing
3-4	HDECQA550CBTA	AL			Hd cover f
3-6	LPLTPA491CBFA	AP			Handle base f
3-11	FDORRB893CBKZ	BU			R-door ass'y [D57N]
3-11	FDORRB895CBKZ	BT			R-door ass'y [D56N]
3-11-1	LSTP-A064CBMZ	AE			R-door stopper r
3-11-2	LSTPPA159CBFA	AE			Rd-stopper spring r
3-11-4	LPLTMA846CBMZ	AF			Rd-support
3-12	FPACGA471CBKZ	AY			R-door packing [D57N]
3-12	FPACGA472CBKZ	AY			R-door packing [D56N]
3-14	HDECQA551CBTA	AM			Hd cover r
3-16	LPLTPA492CBFA	AP			Handle base r
3-21	HBDGDB012CBZA	AH			Badge
3-30	PPACGA268CBZA	AL			F-sub. packing

[9] SJ-D56N/D57N ATTACHMENT PARTS





NO.	PARTS CODE	PRICE RANK	NEW MARK	PART RANK	DESCRIPTION
<b>[9] SJ-D56N/D57N ATTACHMENT PARTS</b>					
5-1	FPOK-A264CBKZ	AS			F-door pocket ass'y
5-3	UPOKPA308CBFA	AP			Rf door pocket
5-5	UPOKPA309CBFA	AM			Utility pocket
5-6	UPOKPA310CBFA	AP			R door pocket
5-7	UTNA-A282CBFA	AH			Egg tray
5-8	UPOKPA314CBFA	AM			Utility pocket I [D57N]
5-9	UPOKPA312CBFA	AU			Bottle pocket
5-10	UPOKPA251CBFB	AF			Tube stand
5-12	UTNA-A449CBFA	AZ			F shelf
5-13	FSRA-A275CBYZ	AR			Ice cube maker
5-14	UYOK-A579CBFA	AM			Ice storage box
5-15	GDORPA085CBFA	AM			Fresh door
5-16	UYOK-A577CBFA	AZ			Fresh case
5-17	FTNA-A468CBKZ	BD			R glass shelf ass'y
5-20	FTNA-A467CBKZ	BE			V glass shelf ass'y
5-21	UYOK-A578CBFA	AZ			Vegetable case
5-22	LSTYPA047CBFA	AN			Partition v
<b>[10] SJ-D56N/D57N OTHER PARTS</b>					
90-1	TINS-A837CBRZ	AF			Operation manual
90-3	SPAKCA340CBZZ	BA			Packing case 55 [D57N]
90-3	SPAKCA343CBZZ	AZ			Packing case 51 [D56N]
90-6	CPADBA108CBKZ	BA			Bottom pad ass'y
90-7	CPADBA109CBKZ	AP			Top pad ass'y
90-21	TLAB-A939CBRZ	AD			Caution label rof

## INDEX

PARTS CODE	No.	PRICE RANK	NEW MARK	PART RANK
[ C ]				
CPADBA108CBKZ	590-6	BA		
"	1090-6	BA		
CPADBA109CBKZ	590-7	AP		
"	1090-7	AP		
[ D ]				
DHNG-A602CBMZ	22-13	AG		
"	72-13	AG		
DHNG-A605CBMZ	22-16	AG		
DHNG-A611CBMZ	72-15	AG		
DHNG-A636CBMZ	22-14	AG		
"	22-15	AG		
"	72-14	AG		
DPWB-A135CBKZ	2-1-51	BR		
DPWB-A150CBKZ	2-1-60	AY		
DTHM-A042CBKZ	2-1-4	AY		
"	7-1-4	AY		
[ F ]				
FAJS-A013CBK0	22-7-1	AE		
"	72-7-1	AE		
FCNW-B017CBKZ	1-1-22	AU		
"	6-1-22	AU		
FDORFB986CBKZ	3-3-1	BT		
FDORFB988CBKZ	8-3-1	BT		
FDORRB891CBKZ	3-3-11	BU		
FDORRB893CBKZ	8-3-11	BU		
FDORRB894CBKZ	3-3-11	BT		
FDORRB895CBKZ	8-3-11	BT		
FDRY-A006CBK0	1-6-5	AX		
"	6-6-5	AX		
FFRM-A152CBKZ	1-6-4	AH		
FFRM-A153CBKZ	6-6-4	AK		
FFS-TA100CBKZ	2-1-17	AN		
"	7-1-17	AN		
FHETBA223CBZZ	2-1-21	AW		
"	7-1-21	AW		
FLEGA077CBKZ	2-2-7	AQ		
"	7-2-7	AQ		
FLEGA078CBKZ	2-2-8	AQ		
"	7-2-8	AQ		
FLMP-A003CBZZ	7-1-7	AM		
FPACGA470CBKZ	3-3-2	AX		
"	8-3-2	AX		
FPACGA471CBKZ	3-3-12	AY		
"	8-3-12	AY		
FPACGA472CBKZ	3-3-12	AY		
"	8-3-12	AY		
FPIPCA307CBKZ	1-6-31	AN		
"	6-6-31	AN		
FPOK-A264CBKZ	4-5-1	AS		
"	9-5-1	AS		
FPWB-A499CBKZ	2-1-53	BG		
FPWB-A500CBKZ	1-1-52	BQ		
FPWB-A506CBKZ	7-1-54	AZ		
FPWB-A507CBKZ	6-1-52	BQ		
FSRA-A273CBBY	4-5-13	AR		
FSRA-A275CBBY	9-5-13	AR		
FTNA-A463CBKZ	4-5-20	AY		
FTNA-A464CBKZ	4-5-17	AY		
FTNA-A465CBKZ	4-5-18	AY		
FTNA-A466CBKZ	4-5-19	AY		
FTNA-A467CBKZ	9-5-20	BE		
FTNA-A468CBKZ	9-5-17	BD		
FTRN-A014CBKZ	2-1-45	AZ		
[ G ]				
GCOV-A192CBFH	22-12	AE		
GCOV-A310CBFA	22-11	AE		
"	72-11	AE		
GCOV-A311CBFZ	22-60	AS		
"	72-60	AS		
GCOVAA052CBTA	3-3-22	AE		
GCOVAA056CBFA	22-53	AE		
"	72-53	AE		
GCOVPA234CBFA	22-38	AE		
"	72-38	AE		
GCOVPA235CBFA	22-39	AE		
"	72-39	AE		
GCOVPA236CBFA	22-2	AE		
GCOVPA237CBRA	22-1	AU		

PARTS CODE	No.	PRICE RANK	NEW MARK	PART RANK
GCOVPA238CBFA	22-20	AK		
"	72-20	AK		
GCOVPA239CBFA	22-68	AT		
"	72-68	AT		
GDAI-A084CBFA	22-47	AR		
GDORPA083CBRA	4-5-15	AN		
GDORPA085CBFA	9-5-15	AM		
GDORPA086CBRA	4-5-4	AN		
[ H ]				
HBDGDB006CBZA	3-3-21	AZ		
HBDGDB012CBZA	8-3-21	AF		
HDECQA544CBTA	3-3-4	AF		
HDECQA545CBTA	3-3-5	AF		
HDECQA550CBTA	8-3-4	AL		
HDECQA551CBTA	8-3-14	AM		
HGRL-A269CBFA	22-50	AU		
"	72-50	AU		
HPNLCA084CBRA	790-31	AF		
[ J ]				
JBTN-A045CBRA	22-41	AF		
JBTN-A046CBRA	22-42	AF		
JBTN-A047CBRA	22-43	AF		
JBTN-A048CBRA	22-44	AF		
JBTN-A049CBRA	22-45	AF		
JHNDPA258CBPZ	3-3-3	AQ		
JHNDPA259CBPZ	3-3-13	AQ		
JHNDPA262CBPZ	3-3-13	AF		
JKNB-A085CBFA	72-88	AF		
[ L ]				
LANG-A058CBPZ	1-6-32	AC		
"	6-6-32	AC		
LBND-A018CBE0	1-2-87	AP		
"	6-2-87	AP		
LBND-A019CBE0	1-4-2	AB		
LBND-A023CBE0	1-4-1	AC		
"	6-4-1	AC		
LHLD-A359CBFA	1-2-77	AE		
"	6-2-77	AE		
LHLD-A533CBPZ	2-2-7-2	AL		
"	7-2-7-2	AL		
LHLD-A534CBPZ	2-2-8-2	AP		
"	7-2-8-2	AP		
LHLD-A714CBFZ	2-2-21	AR		
LHLD-A781CBEZ	1-6-21	AG		
"	6-6-21	AG		
LHLD-A797CBFZ	1-2-71	AE		
"	6-2-71	AE		
LHLD-A801CBFA	2-1-50	AE		
LHLD-A802CBFA	2-2-46	AE		
LHLD-A803CBFZ	7-2-22	AG		
LHLD-A825CBPZ	2-2-18	AE		
LPLTMA399CBP0	1-2-78	AD		
"	6-2-78	AD		
LPLTMA818CBPZ	2-2-31	AG		
LPLTMA819CBPZ	2-2-67	AF		
"	7-2-67	AF		
LPLTMA822CBPZ	2-2-31	AK		
LPLTMA840CBPZ	7-2-19	AE		
LPLTMA846CBMZ	3-3-11-4	AF		
"	8-3-11-4	AF		
LPLTMA847CBPZ	7-2-31	AH		
LPLTMA848CBPZ	7-2-31	AH		
LPLTPA478CBTA	3-3-6	AH		
LPLTPA479CBTA	3-3-7	AH		
LPLTPA480CBPZ	3-3-8	AF		
LPLTPA481CBPZ	3-3-9	AF		
LPLTPA490CBZZ	7-2-89	AE		
LPLTPA491CBFA	8-3-6	AP		
LPLTPA492CBFA	8-3-16	AP		
LSTP-A064CBMZ	3-3-11-1	AE		
"	8-3-11-1	AE		
LSTPMA028CBMZ	3-3-1-1	AE		
"	8-3-1-1	AE		
LSTPPA158CBFA	3-3-1-2	AE		
"	8-3-1-2	AE		
LSTPPA159CBFA	3-3-11-2	AE		
"	8-3-11-2	AE		
LSTPPA161CBFA	2-2-40	AE		
"	7-2-40	AE		

PARTS CODE	No.	PRICE RANK	NEW MARK	PART RANK
LSTYPA047CBFA	4-5-22	AN		
"	9-5-22	AN		
LX-BZA090CBZZ	1-4-15	AC		
"	6-4-15	AC		
LX-BZA091CBZZ	3-3-10	AD		
LX-BZA107CBZZ	1-6-22	AD		
"	6-6-22	AD		
LX-CZA017CBZZ	1-6-23	AD		
"	6-6-23	AD		
LX-WZA035CBZZ	1-4-17	AB		
"	6-4-17	AB		
[ M ]				
MLOV-A064CBFA	2-2-33	AR		
"	7-2-33	AR		
MLOV-A065CBFA	2-2-33	AR		
"	7-2-33	AR		
[ N ]				
NBRGPA022CBFA	3-3-11-3	AC		
[ P ]				
PBOX-A164CBFA	1-2-80	AM		
"	6-2-80	AM		
PCAP-A006CBFW	7-2-55	AB		
PCAP-A055CBFF	3-3-20	AE		
PCAP-A077CBFH	7-2-54	AD		
PCLI-A055CBEZ	1-6-6	AC		
"	6-6-6	AC		
PCMPLA298CBZZ	1-6-1	BY		
"	6-6-1	BY		
PCOV-A390CBFA	7-2-52	AH		
PCOV-A391CBRA	2-2-51	AH		
PCOV-A392CBRA	2-2-52	AG		
PCOV-A395CBRA	7-2-51	AH		
PCOV-A396CBPZ	1-2-81	AF		
"	6-2-81	AF		
PCOVMA005CBYZ	1-2-82	AF		
"	6-2-82	AF		
PCOVPA418CBEZ	1-6-24	AV		
"	6-6-24	AV		
PEVA-A187CBZZ	2-6-8	BE		
"	7-6-8	BE		
PFIL-A047CBEZ	2-2-36	AC		
"	7-2-36	AC		
PFIL-A050CBEZ	2-2-37	AM		
PGID-A172CBFZ	2-2-23	AK		
"	7-2-23	AK		
PGID-A173CBFZ	2-2-24	AK		
"	7-2-24	AK		
PGID-A174CBFZ	2-2-34	AH		
"	7-2-34	AH		
PGID-A176CBFZ	2-2-34	AG		
"	7-2-34	AG		
PGID-A177CBFZ	7-2-30	AG		
PGUM-A003CBF0	1-6-16	AH		
"	6-6-16	AH		
PGUM-A004CBF0	1-6-14	AH		
"	6-6-14	AH		
PKYU-A183CBEZ	1-6-33	AE		
"	6-6-33	AE		
PKYU-A195CBKZ	1-6-2	AU		
"	6-6-2	AU		
PPACGA268CBZA	3-3-30	AL		
"	8-3-30	AL		
PPIPCA252CBE0	1-6-18	AD		
"	6-6-18	AD		
PPIPCA551CBZZ	1-6-19	AF		
"	6-6-19	AF		
PPIPCA610CBZZ	1-6-11	AL		
"	6-6-11	AL		
PPIPCA639CBZZ	1-6-12	AR		
"	6-6-12	AR		
PSEL-C669CBZZ	2-2-25	AD		
"	7-2-25	AD		
PSEL-C955CBZZ	2-2-26	AE		
"	7-2-26	AE		
PSEL-C956CBZZ	2-2-27	AE		
"	7-2-27	AE		
PSEL-C958CBZZ	2-2-29	AH		
"	7-2-29	AH		
PSEL-C959CBZZ	2-2-61	AE		
"	7-2-61	AE		
PSEL-C961CBZZ	2-2-63	AH		
"	7-2-63	AH		

PARTS CODE	No.	PRICE RANK	NEW MARK	PART RANK
PSEL-C962CBZZ	2-2-64	AE		
"	7-2-64	AE		
PSEL-C966CBZZ	2-2-35	AE		
"	7-2-35	AE		
PSEL-C968CBZZ	2-2-35	AE		
"	7-2-35	AE		
PSEL-D085CBZZ	2-2-49	AD		
"	7-2-49	AD		
PSHEMA341CBPZ	2-2-66	AG		
"	7-2-66	AG		
PSHEPA084CBZZ	1-2-83	AG		
"	6-2-83	AG		
PSPAPA055CBEZ	1-6-3	AP		
"	6-6-3	AP		
[ Q ]				
QACC-A185CBZZ	1-1-9	AQ		
"	6-1-9	AQ		
QCNW-B021CBZZ	1-1-32	AC		
"	6-1-32	AC		
QCNW-B256CBZZ	2-1-55	AP		
QCNW-B257CBZZ	2-1-56	AP		
QCNW-B258CBZZ	2-1-57	AP		
"	7-1-57	AP		
QCNW-B262CBZZ	7-1-58	AP		
QCNW-B270CBZZ	7-1-55	AH		
QCNW-B283CBZZ	1-1-36	AG		
"	6-1-36	AG		
QCNW-B295CBZZ	1-1-35	AM		
QSW-PA097CBZA	2-1-10	AG		
"	7-1-10	AG		
QTAN-A012CBE0	1-4-11	AH		
"	6-4-11	AH		
QTAN-A013CBE0	1-4-10	AH		
"	6-4-10	AH		
[ R ]				
RC-EZA250CBZZ	1-1-31	AQ		
"	6-1-31	AQ		
RCILFA011CBZZ	1-1-61	AV		
RH-HXA103CBZZ	2-1-2	AZ		
"	7-1-2	AZ		
RH-HXA104CBZZ	2-1-1	AZ		
"	7-1-1	AZ		
RH-HXA105CBZZ	2-1-3	AZ		
"	7-1-3	AZ		
RHOG-A207CBZZ	1-1-11	AT		
"	6-1-11	AT		
RMOTRA096CBZZ	2-1-6	BE		
"	7-1-6	BE		
RSTT-A203CBZZ	1-1-12	AT		
"	6-1-12	AT		
[ S ]				
SPAKCA340CBZZ	5-90-3	BA		
"	10-90-3	BA		
SPAKCA343CBZZ	5-90-3	AZ		
"	10-90-3	AZ		
[ T ]				
TINS-A836CBRZ	5-90-1	AH		
TINS-A837CBRZ	10-90-1	AF		
TLAB-A876CBRZ	7-90-2	AC		
TLAB-A939CBRZ	5-90-21	AD		
"	10-90-21	AD		
TLAB-B605CBRA	2-2-48	AE		
[ U ]				
UPOKPA251CBFB	4-5-10	AF		
"	9-5-10	AF		
UPOKPA308CBFA	4-5-3	AP		
"	9-5-3	AP		
UPOKPA309CBFA	4-5-5	AM		
"	9-5-5	AM		
UPOKPA310CBFA	4-5-6	AP		
"	9-5-6	AP		
UPOKPA312CBFA	4-5-9	AU		
"	9-5-9	AU		
UPOKPA314CBFA	4-5-8	AM		
"	9-5-8	AM		
USRA-A313CBFA	1-2-70	AP		
"	6-2-70	AP		
UTNA-A282CBFA	4-5-7	AH		
"	9-5-7	AH		
UTNA-A449CBFA	4-5-12	AZ		
"	9-5-12	AZ		
UTNA-A450CBFA	4-5-11	AP		

SJP66NSLG

PARTS CODE	No.	PRICE RANK	NEW MARK	PART RANK
UYOK-A577CBFA	4-5-16	AZ		
"	9-5-16	AZ		
UYOK-A578CBFA	4-5-21	AZ		
"	9-5-21	AZ		
UYOK-A579CBFA	4-5-14	AM		
"	9-5-14	AM		